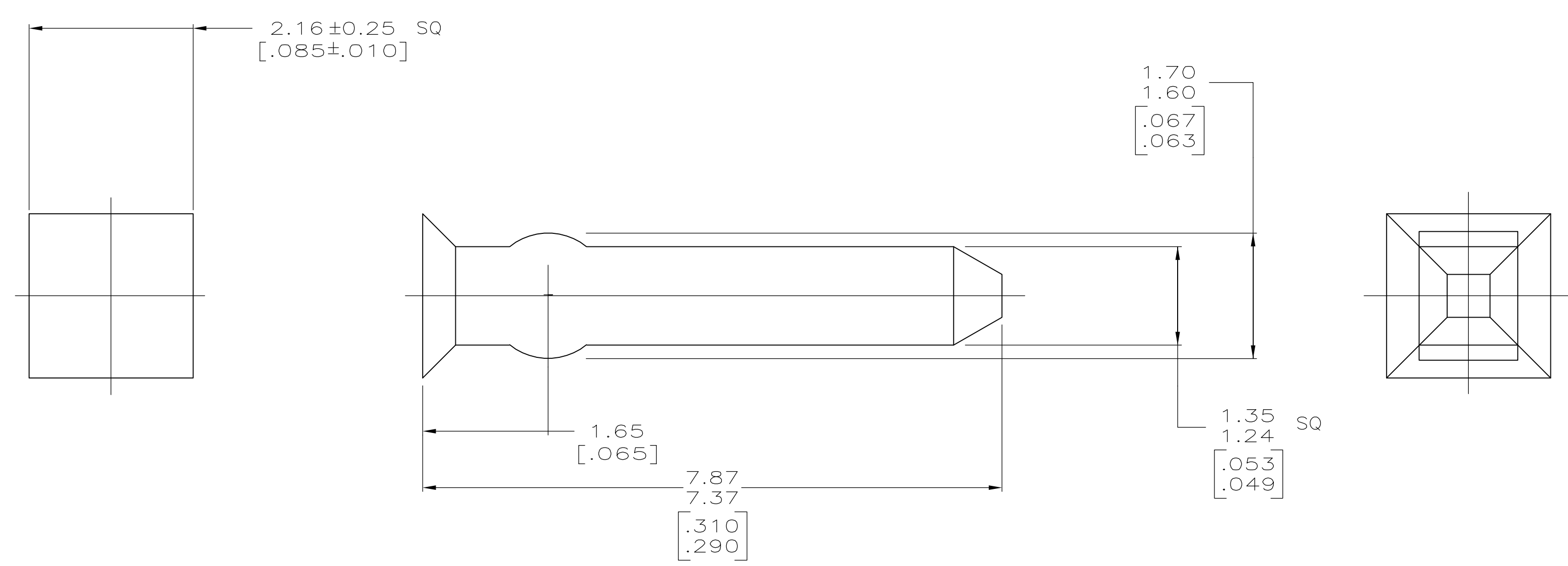
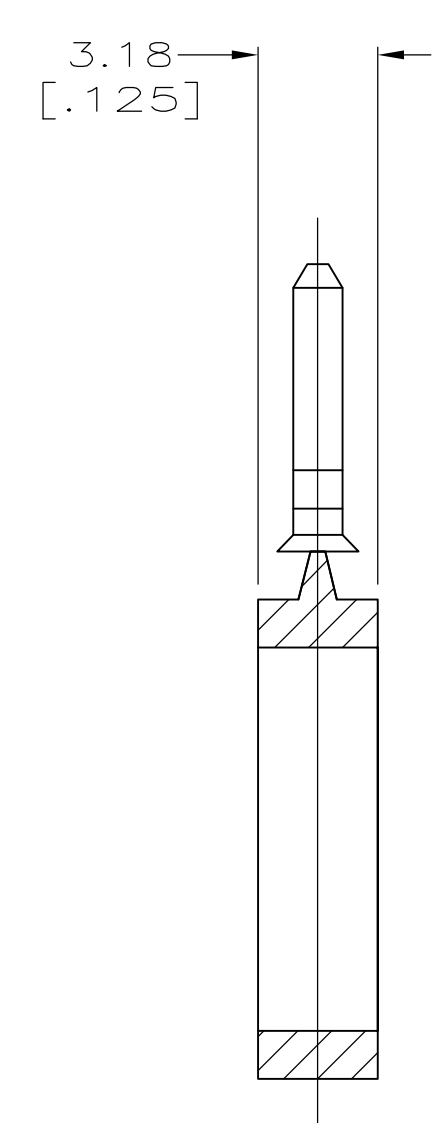


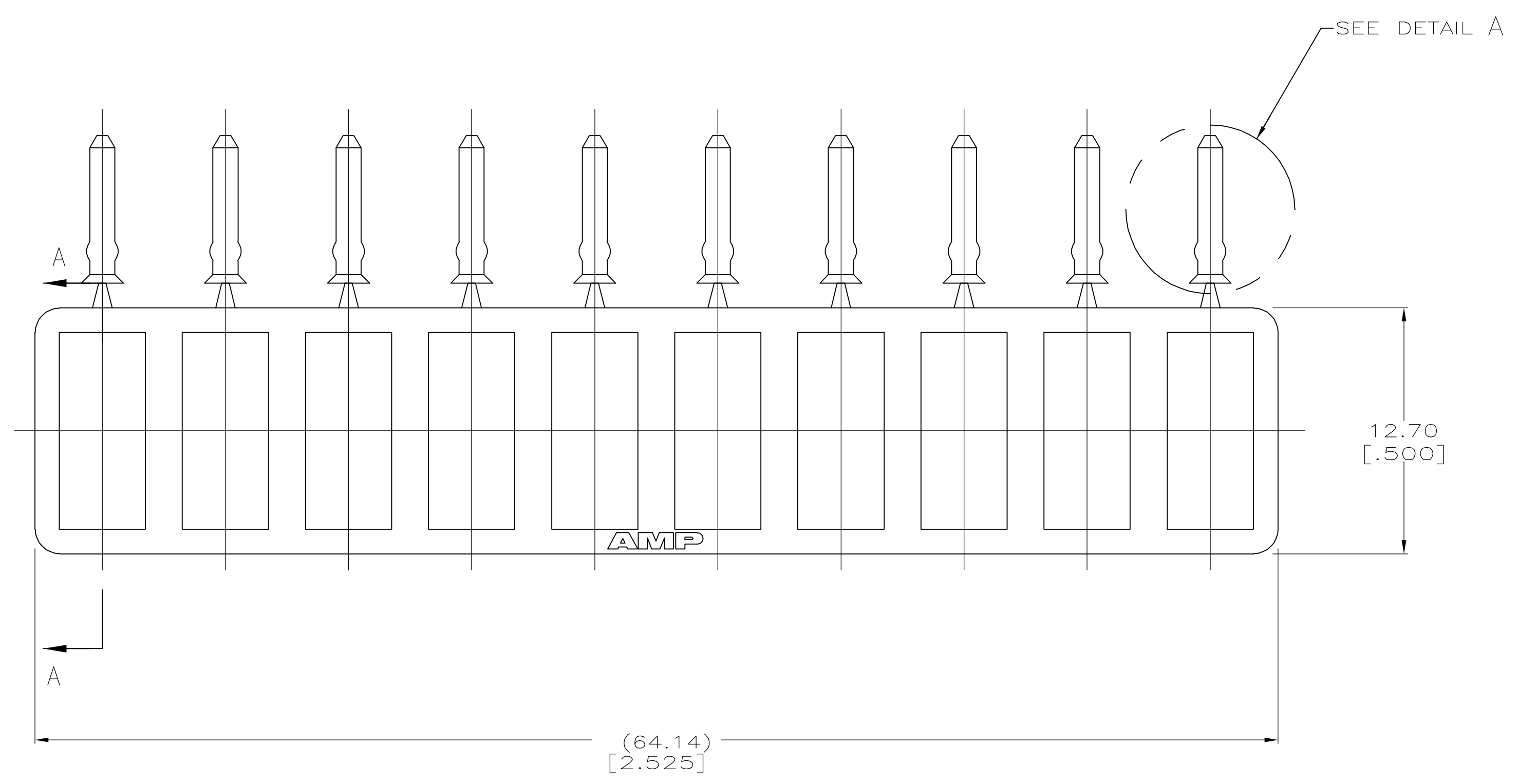
LOC		DIST		REVISIONS			
P	LTR	DESCRIPTION	DATE	DWN	APPD		
C1		REVISED PER ECO-05-012730	08NOV05	KW	DB		



DETAIL A
 SCALE 20:1
 ROTATED 90° CW



SECTION A-A



641623-1
 PART NUMBER

METRIC

THIS DRAWING IS A CONTROLLED DOCUMENT.		DWN T. BECK 4-4-91		Tyco Electronics Corporation Harrisburg, PA 17105-3608	
DIMENSIONS: mm [INCHES]		CHK R. SWING 4-4-91		NAME	KEYING PLUG WITH CARRIER STRIP, MTA 156
TOLERANCES UNLESS OTHERWISE SPECIFIED:		APPD G. MILLER 4-4-91	PRODUCT SPEC	RESTRICTED TO	
0 PLC ± -			APPLICATION SPEC	SIZE CAGE CODE DRAWING NO	
1 PLC ± -			WEIGHT	A1 00779 C=641623	
2 PLC ± -				CUSTOMER DRAWING	
3 PLC ± 0.13 [.005]				SCALE 5:1 SHEET 1 OF 1 REV C1	
4 PLC ± -					
ANGLES ± -					
FINISH -					